

Display section:

PPI image by TFT liquid crystal color display

Frequency:

SCS-18H Pb: 163kHz
SCS-18H Pc: 173kHz
SCS-18H Pd: 184kHz

Display resolution:

SXGA(1280×1024)

Display colors:

Sonar image —32-color display
Character —4-color display
Marker —2-color display

Display modes:

Head-up, north-up, and true motion (*External signals are necessary)

Additional modes:

off-center (enlarged 1.5 times in a desired direction)

Simultaneous screen modes:

Full screen, multiple screen, Audio image, fish finder image

Ranges:

Any 15 ranges can be selected out of 150, 200, 250, 300, 400, 500, 600, 700, 800, 900, 1000, 1200, 1400, 1500, 1600, 1800, 2000, 2500, 3000, 4000, and 5000.

The range is enlarged 1.5 times for off-center. (not available over 5000m)

Receiving method:

Super heterodyne method, real-time beam method, and forming method

Transmission method:

OMNI transmission

Audio frequency:

800Hz

Tilt angle range:

0° ~-90° can be selected by mechanic circuit control

Rotation:

Mechanically variable in a range between± 170degrees

Beam (at -3dB):

Transmission-Horizontal 180° ×6°
Receiving-Horizontal 6° ×6°

Additional functions:

Interference elimination, signal processing, clutter, TVG, AGC, memory card, and auto tilt angle functions

Display marks:

Own boat mark, wake mark, cross-line cursor, event mark (max.10 event marks),north mark, direction mark, cast-net mark, tidal current mark and other marks. (*Some marks are displayed only when external signals are input.)

External signal input:

NMEA0183 (Ver.1.5, Ver.2.0 and Ver.3.0)
Latitude/longitude (GGA,GLL,RMC), Speed and Course (VTG), Heading (HDT,HDM,HDG),
Water temperature (MTW), Water depth (DPT,DPS), Wind direction and velocity (MWV, MWD),
Current speed and direction (CUR)

Remarks : Signal input may not be available depending on interfaced equipment.

Hoist unit stroke:

LL=1000mm

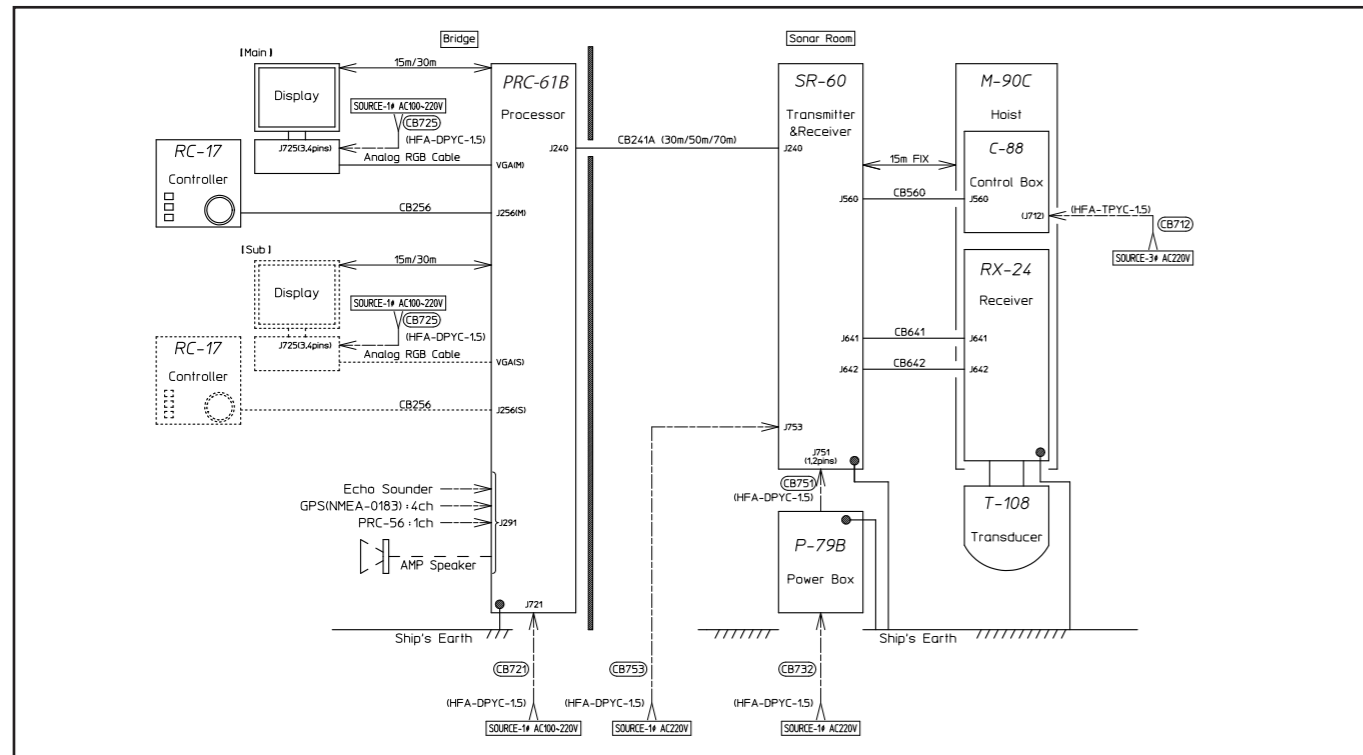
Power supply:

Processing Single-phase 100~200VAC, 50/60 Hz, and 400VA
Receiving Single-phase 220VAC, 50/60 Hz, and 600VA
Sending Single-phase 220VAC, 50/60Hz, and 1500VA
Hoist unit 3-phase 220VAC, 50/60Hz, and 750VA

Measurement(W×H×D) & Weight:

I-133LCD	460mm×430mm×345mm	24kg
RC-17 Remote Controller	246mm×158mm×46mm	1kg
PRC-61B Processor	280mm×450mm×388mm	21kg
SR-60 TX/RX Unit	910mm×534mm×445mm	113kg
P-79B Power Box	215mm×335mm×153mm	12kg
M-90C-LL Hoist	690mm×2950mm×560mm	430kg

(With T-108 Transducer)



⚠ SAFETY PRECAUTION : Please be sure to read the Instruction Manual before operating
● Specifications are subject to change without prior notice for improvement.



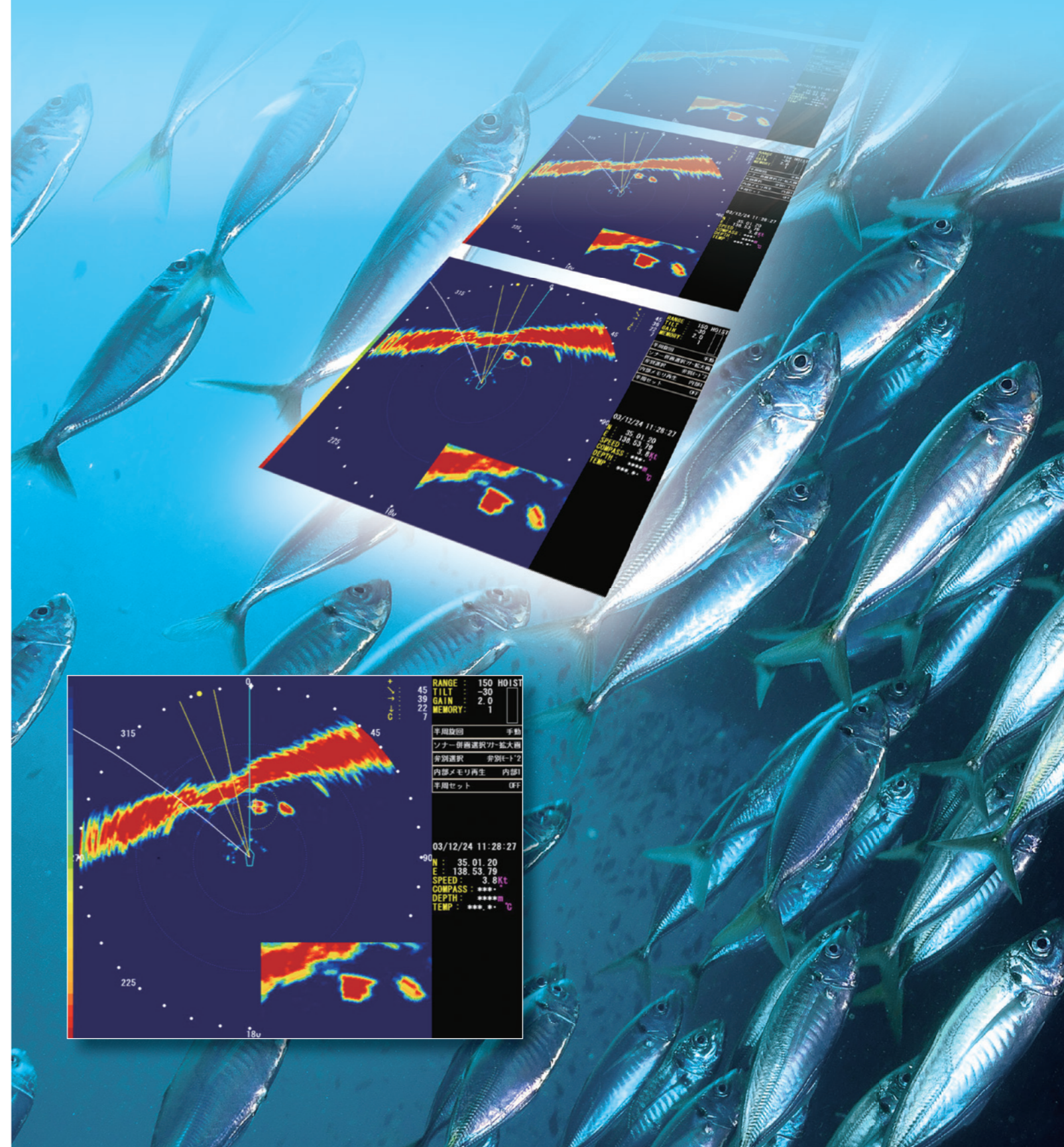
10-22, Higashimatsubara, Hakonegasaki, Mizuhomachi, Nishitama-gun, Tokyo, Japan 190-1295
TEL: +81-42-568-3210 FAX +81-42-568-3310
Email: info@u-sonic.co.jp URL: www.u-sonic.co.jp

SCS series

Half, High Frequency, High Resolution

Half Scanning Sonar

SCS-18H

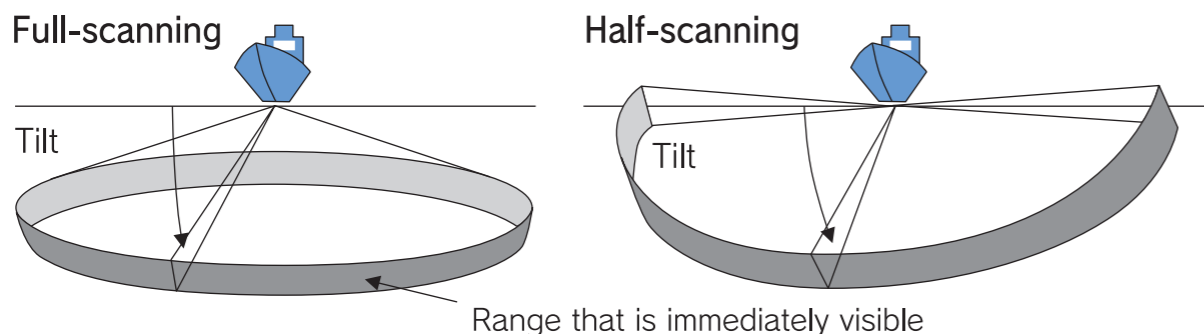


Nobody but us can offer high-frequency sonar! Clear definition, even for schools at the seabed level.

Main features

- Easy distinction between schools and bait, with high resolutions
- Clear fish echo image for bonito, tuna and squid as well as for mackerel and horse mackerel from around the world
- One-touch memory keys for recalling settings for the user's fishing style and conditions
- Variety type of display modes (full screen, multi, audio, fishfinder screen).

Why is half-scanning sonar used throughout the world?



By tilting and rotating mechanically, the user can obtain a clear picture with minimum side-lobe. The user can also obtain a strong signal, which offers various effective methods of fishing.

*Half-scanning sonar realizes a very sharp sound beam

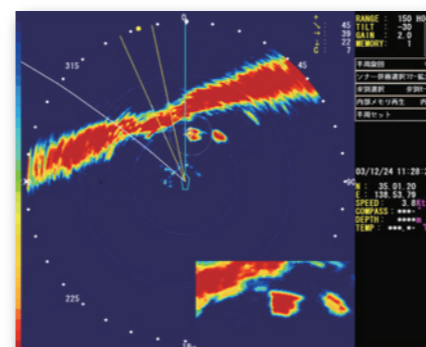
Directivity width: Transmission 180° x 6°

Reception 6° x 6°

Pulse width: 0.5ms~40ms

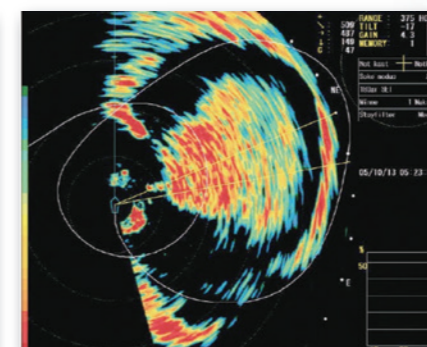
Satisfying fishermen with the world's highest sound pressure
(*229 dB is five times more than normal full-scanning sonar.)

■ Even near the bottom, fish are detectable



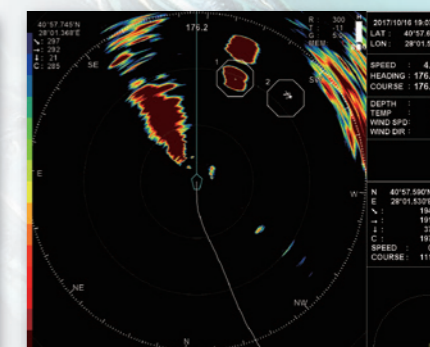
* Real fishing ground in Japan

■ Herring catch at the 375m range



* Real fishing ground in Norway

■ 300m range with high resolution picture of Horse Mackerel



* Real fishing ground in Turkey

Safety structure

All Sonic Hoists feature a structure utilizing guide rings in order to be able to withstand the harsh conditions present during marine use.

